



### Description

The VTC vacuum clamps comprises of one or more powerful suction cups operated by a special generator incorporated in a robust vibrator mounting plate. Each unit comes complete with 2x2 metres of hose and on/off valves that independently control the vacuum and vibrator.

The mounting plate can be drilled to suit the various vibrators as shown below.

### Application

The VTC vacuum clamp has been designed as a means of rapidly attaching pneumatic vibrators to almost any fairly smooth surface. It has been developed as a discharge aid from metal, plastic or even cardboard containers or pipes where vibrators cannot be fixed by conventional means.

The minimum diameters that the different models will safely clamp onto are:

VTC-10	100mm
VTC-15	500mm
VTC-15D	650mm
VTC-20D	850mm
VTC-20T	5000mm

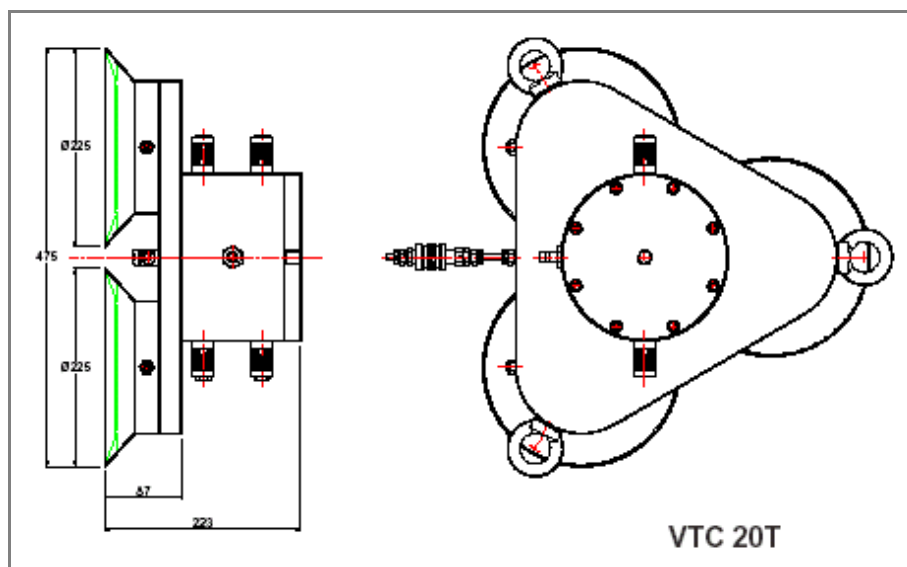
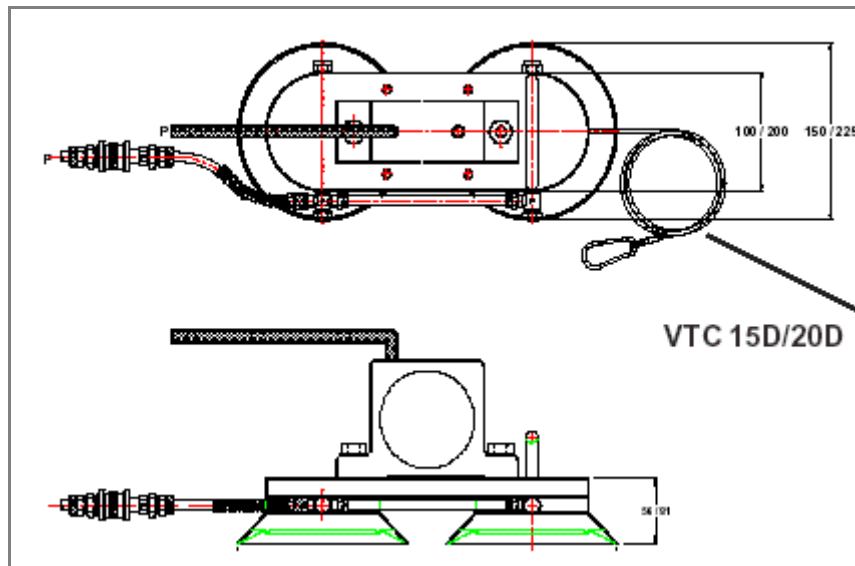
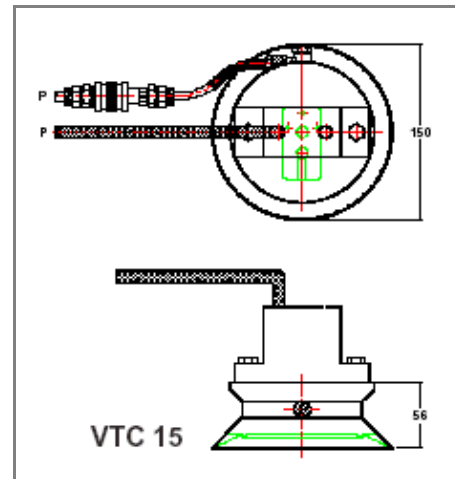
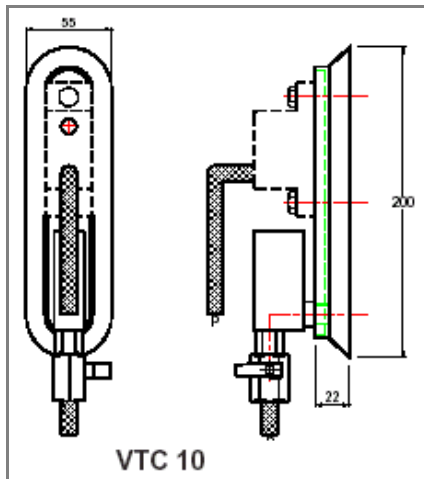
### The following pneumatic vibrators can be fitted to:

VTC-10	DAR-2 • K-8/10 • GT-4/6/8/10 • FP(LF)-12-S/M/L • FP(LF)-18-S/M/L • R-50 • T-50-LP/HP VTL-155/165 • FAL-18
VTC-15	DAR-2/3 • K-8/10/13/16 • GT-4/6/8/10/13/16 • FP(LF)-12-S/M/L • FP(LF)-18-S/M/L • R-50/65 T-50-LP/HP • T-65-LP/HP • VTL-155/165/255 • FAL-18/25
VTC-15D	DAR-4 • K-20/25/30/36 • GT-20/25/30 • FP(LF)-25-S/M/L • FP(LF)-35-S/M/L • FP-50-M R-80 • T-80-LP/HP • FAL-25/35 • FKL-100mi/si
VTC-20D	DAR-5 • GT-30/36/40/48 • FP-60-M • R-100 • T-100-HP • VFP-50/04
VTC-20T	VFP-50/10

We reserve the right to modify or withdraw specifications or products without notice or obligation.

[www.aldak.de](http://www.aldak.de) (only in german language) • [info@aldak.de](mailto:info@aldak.de)

Dimensions in mm



[www.aldak.de](http://www.aldak.de) (only in german language) • [info@aldak.de](mailto:info@aldak.de)