

**Description**

The VTP 25 pneumatic linear vibrators are versatile dual purpose continuous units and can simply be converted to operate in either cushioned or impacting mode.

The VTP 25 is supplied for cushioned use with a loose urethane pad for converting to impacting. Simply remove the base plate ( 4 allen screws) and place the pad in the counterbore and re-fit the base plate.

The aluminium body is hard coated and corrosion resistant. The top and base plates are anodised aluminium and the piston is magnetic stainless steel.

**Installation Instructions**

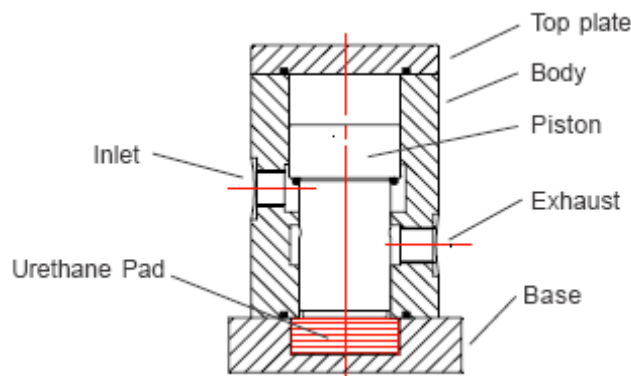
An air line filter and lubricator must be used to guarantee a long working-life. Hydraulic oil ISO VG5 = 5cSt/40oC, for example SHELL Tellus Oil C5 must be used.

These vibrators are suitable for use in ambient temperatures 5o C to 80o C Maximum air pressure 6 Bar = 87 PSI.

**General Maintenance**

The VIBTEC VTP model vibrators have a long life with no undue piston or cylinder wear. The air line filter and lubricator must be inspected and cleaned at regular intervals. Dirt or contaminated oil will slow down or stop the vibrator.

On request can be supplied with ATEX certification to **ATEX 95 94/9/EC**  **II 2 G & D Zone 1, 2, 21, 22.**



www.aldak.de • info@aldak.de

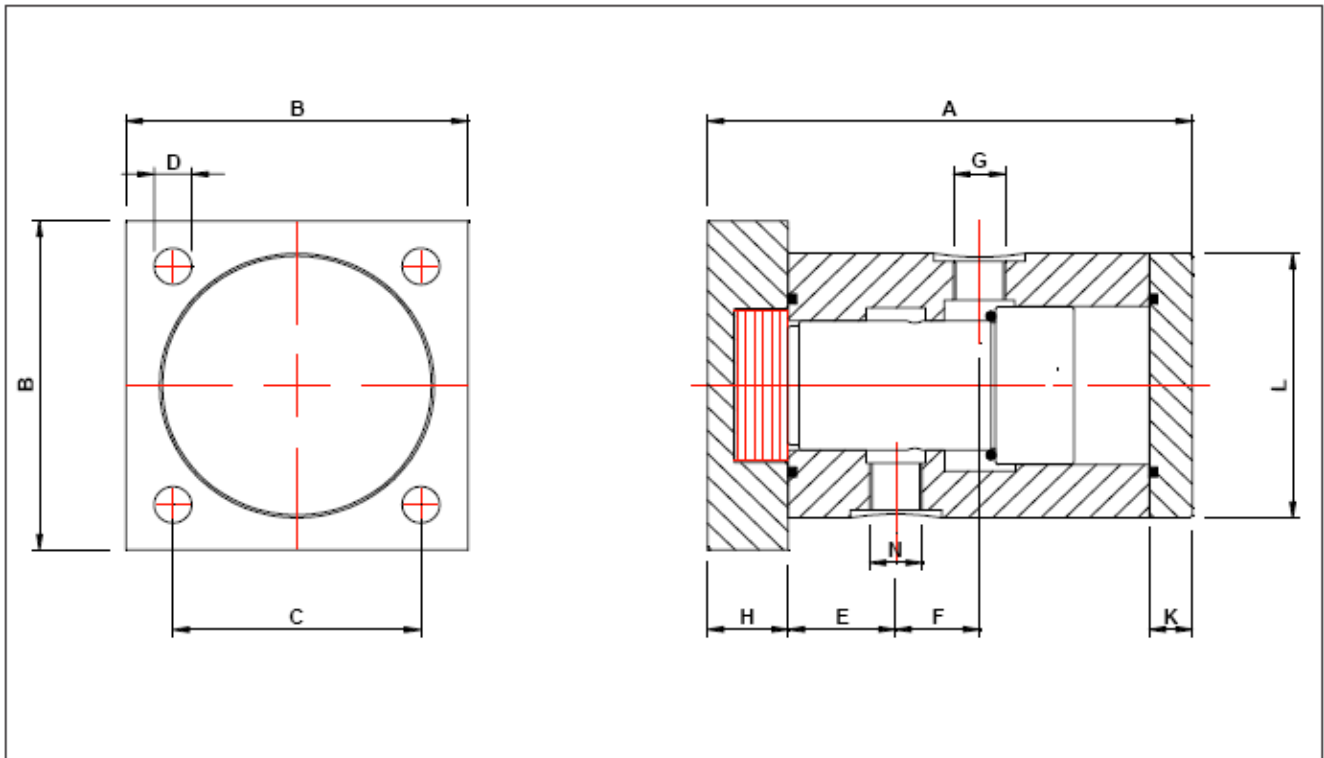
**Technical Data**

model	frequency min <sup>-1</sup>			force N			air consumption l / min		
	2 bar	4 bar	6 bar	2 bar	4 bar	6 bar	2 bar	4 bar	6 bar
VTP-25									
vibrating *	2600	3200	2800	66	164	260	18	56	122
impacting **	4780	6900	8380	130	310	500	25	72	160

\* without urethane pad

\*\* with urethane pad installed

**Dimensions in mm**



model	A mm	B mm	C mm	∅ D mm	E mm	F mm	G	H mm	K mm	∅ L mm	N mm	weight kg
VTP-25	90	63,5	46	6,5	35	15,5	1/8"	15	8	51	1/8"	0,635

We reserve the right to modify or withdraw specifications or products without notice or obligation.

www.aldak.de • info@aldak.de